



Stella Doradus Ireland Ltd.

1.7 - 2.2GHz Planar Antenna

Part No.: GSM 1800 +UMTS 4040



The GSM1800+UMTS 4040 is an indoor or outdoor pole mounted, wall mounted antenna

Adjustable elevation or horizontal tilt are available.

High quality professional antennas with exceptional patterns and extremely durable.

Electrical Specification

Gain	14dBi
3dB beam Pattern	30° x 30°
Bandwidth	1.7 - 2.2Ghz
VSWR	1.8 : 1
Front to Back Ratio	25dB
Polarization	Vertical
Power Rating	50W
Impedance	50 ohms
Termination	Fixed N-female or SMA female
Cross Pol. Discrimination	-25dB after 55 deg
Surge Protection	Built in

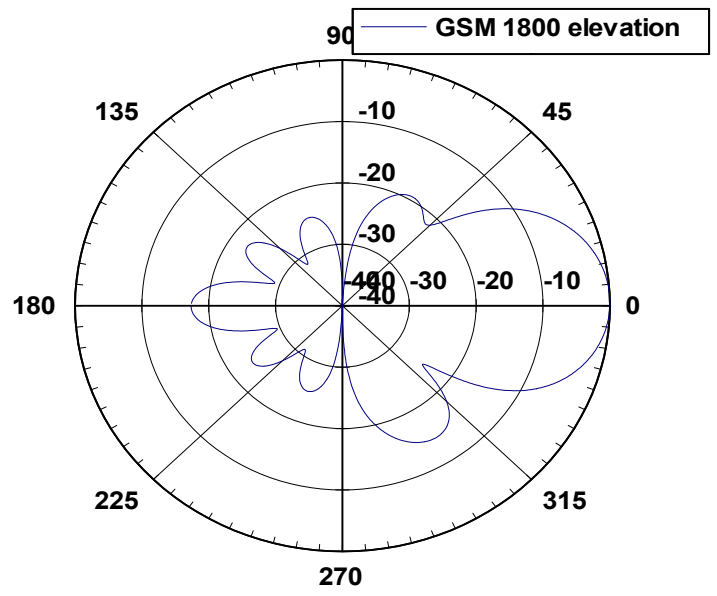
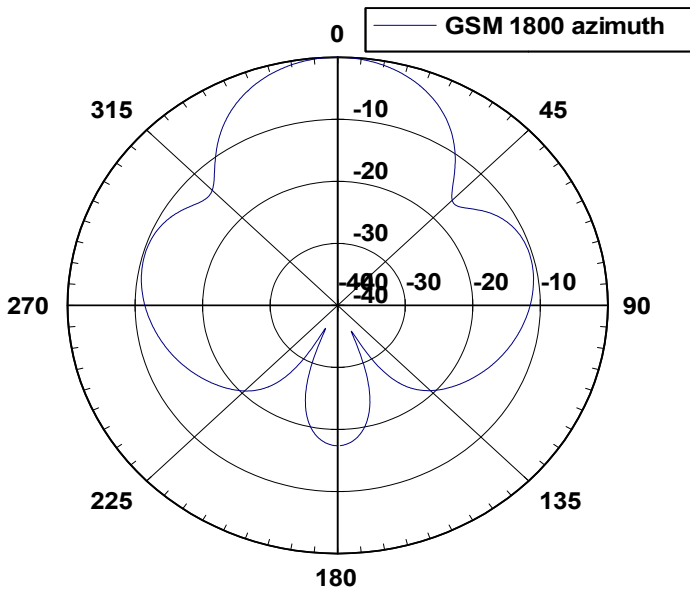
Mechanical Specifications

Length	30cm
Width	26cm
Depth	6cm
Weight	2Kg
Windage(at 215kmph)	16.2kg
Mechanical Tilt	0-25 degrees
Mounting Pipe	5 cm pipe

Materials

Radiating Element	PCB patch array
Radome (feed)	White UV stabilised Polystyrene
Clamps	HDG steel + galvanised steel bolts

Azimuth Pattern



Elevation Pattern

