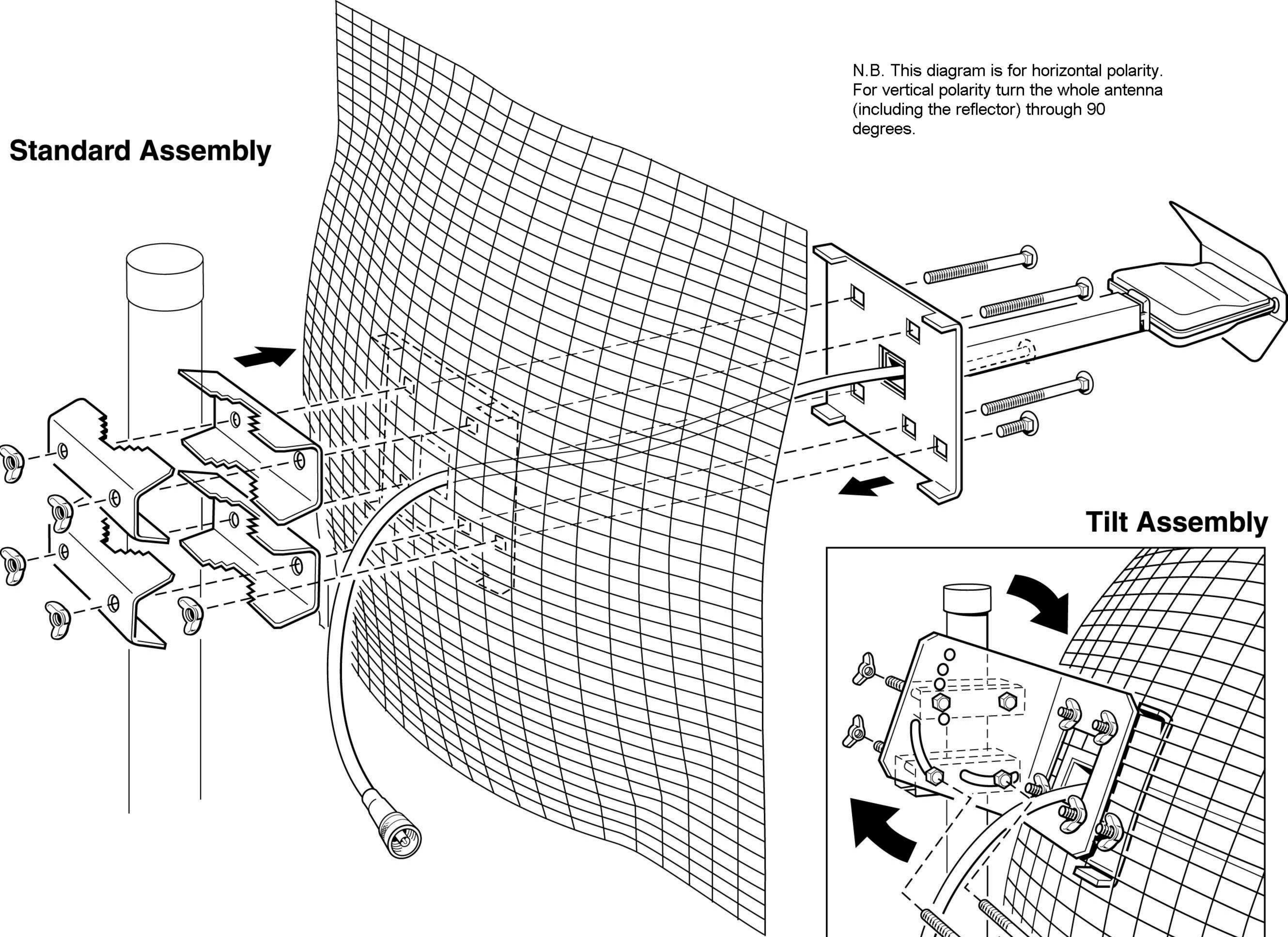


N.B. This diagram is for horizontal polarity.
For vertical polarity turn the whole antenna
(including the reflector) through 90
degrees.

Standard Assembly



Tilt Assembly

