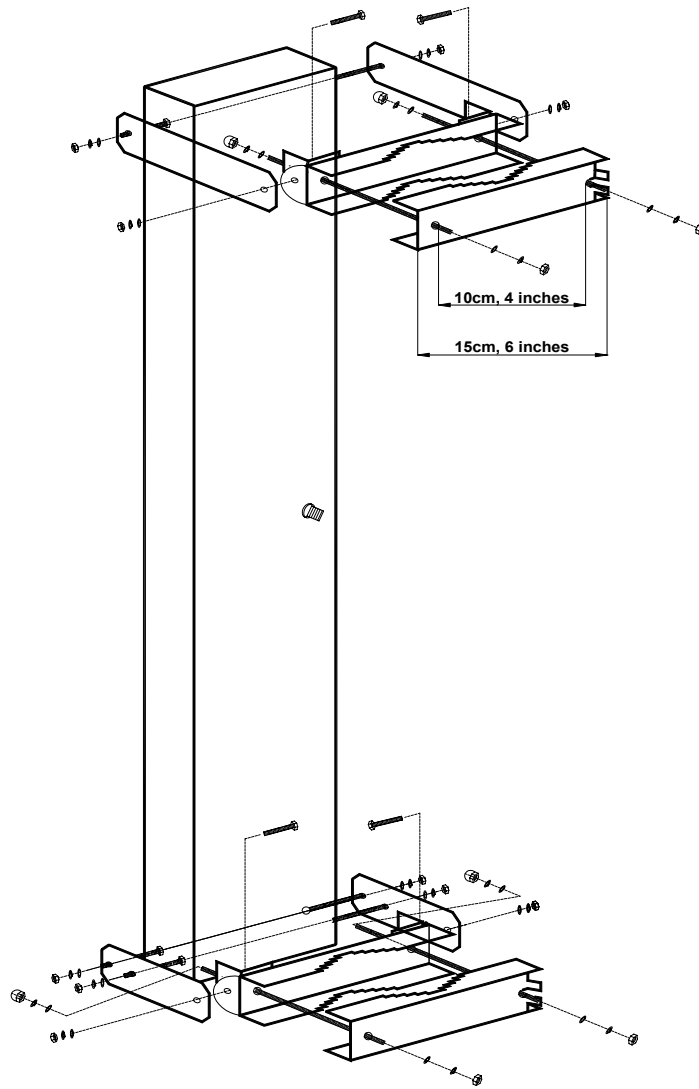
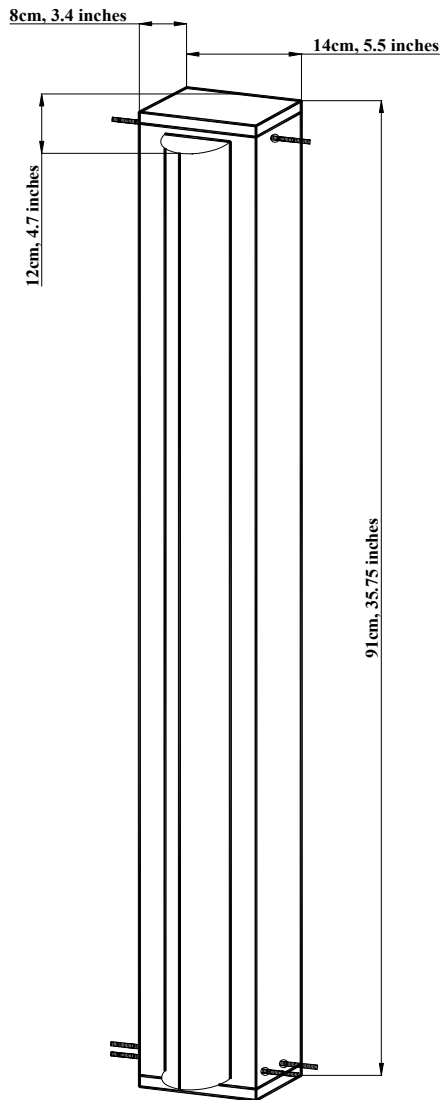


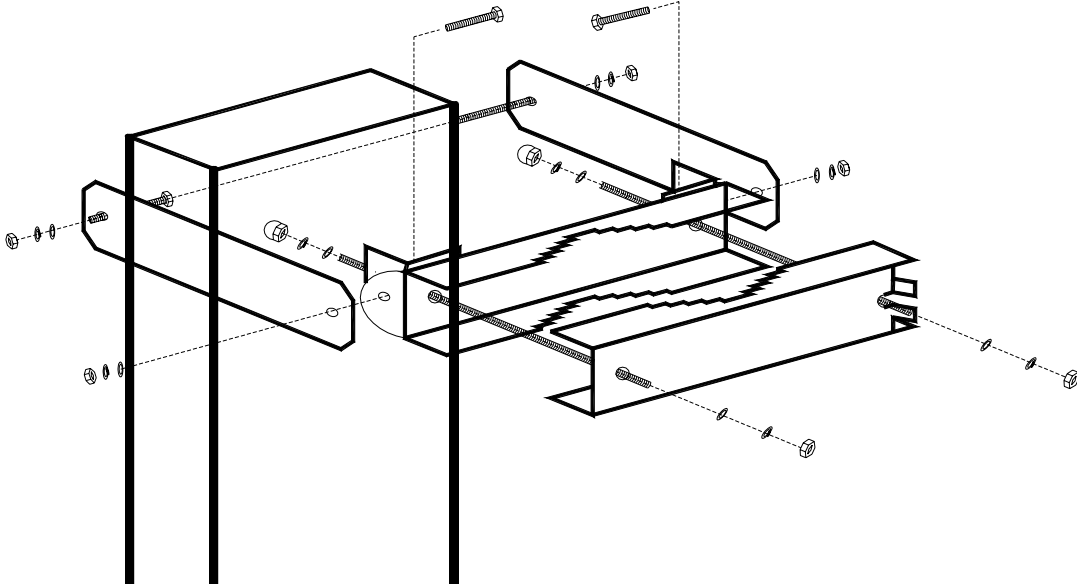
Mounting Instructions

Part Checklist			
Pole clamp front	2	M10 threaded bar	4
Pole clamp rear	2	M10 x 30 bolts	4
Support Bracket	4	M10 nut	14
Tilt arm upper	2	M10 flat washer	18
Tilt arm lower	2	M10 spring washer	18
		M10 Dome nut	4

Physical Data		
Weight of antenna (including 3 threaded bars)	3.9kg	8.5 lbs
Weight of Brackets	3kg	6.5 lbs
Weight of Antenna plus brackets	6.9kg	15 lbs
Wind Loading	382N / 200kmph	86 lbs / 125mph
Overall Dimensions	91 x 14 x 12cm	35.8 x 5.5 x 4.7 inches



Upper Bracket Assembly



Lower Bracket Assembly

